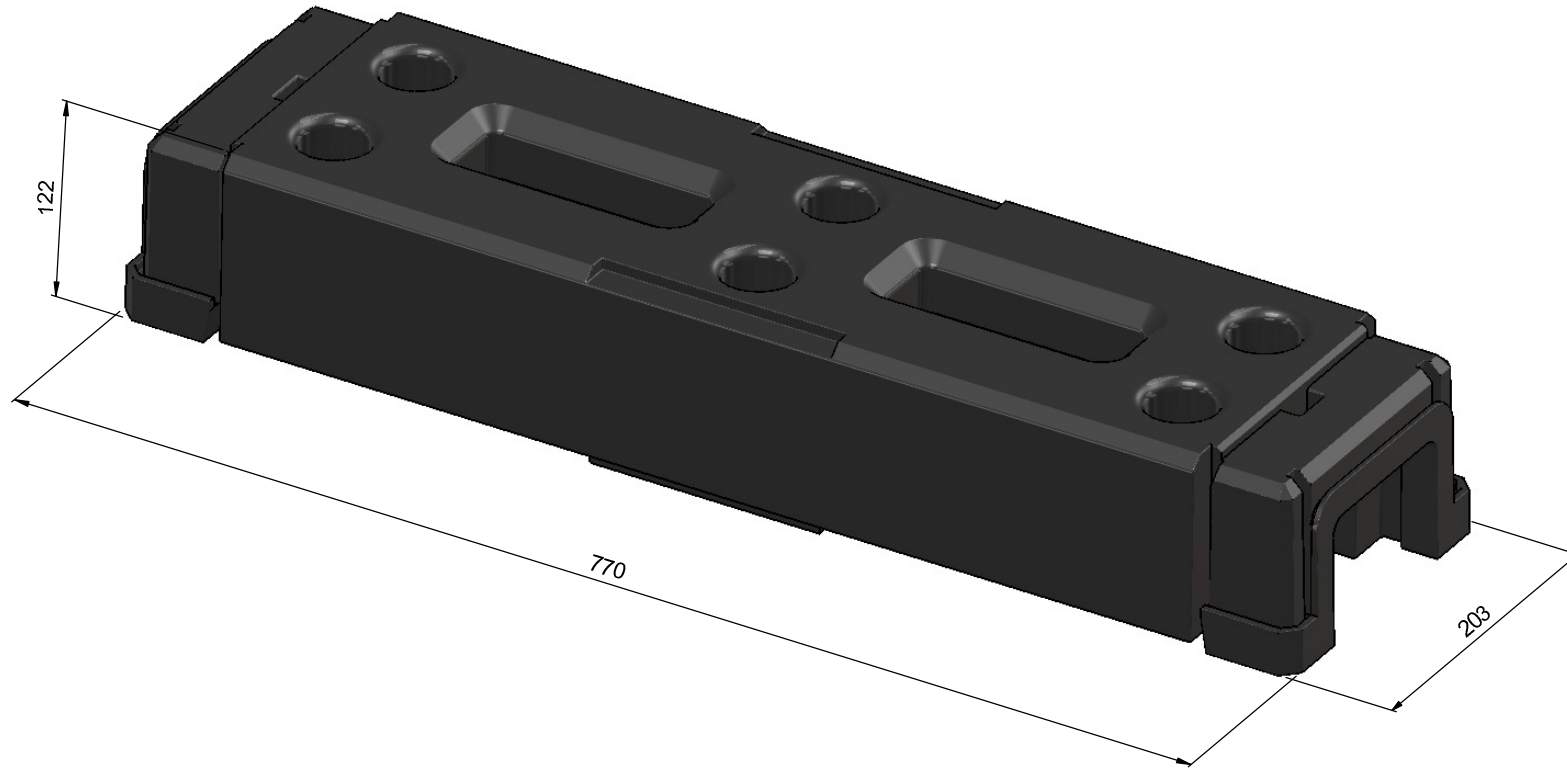


1
2
3
4
5
6
7
8

ALL DIMENSIONS IN MILLIMETRES
REMOVE ALL SHARP EDGES

THIRD ANGLE PROJECTION
DO NOT SCALE DRAWING



| | | | | | |
|-----|--------|------------------------|-----|------|------|
| 1 | 9/7/13 | ISSUED FOR MANUFACTURE | GC | | |
| 0 | 20/5/8 | ISSUED FOR MANUFACTURE | GC | | |
| REV | DATE | DESCRIPTION | DRN | CHKD | APPR |

TITLE: THERMO-PLASTIC FENCE FOOT (STD)

| | | |
|-------------------------|---|---------|
| UNLESS STATED OTHERWISE | | |
| GENERAL TOLERANCES: | | |
| FABRICATION | UP TO 1000mm | +/- 2mm |
| | 1001mm & ABOVE | +/- 3mm |
| ANGULAR | +/- 0.5 DEGREE | |
| WEIGHT | +/- 10% (DUE TO MATERIAL PROPERTIES & TOLERANCES) | |

| | | | |
|---------|----------|-----------|---------|
| DRAWN | NAME | SIGNATURE | DATE |
| CHK'D | G. CRICK | | 12/11/7 |
| FINISH: | NONE | | |

MATERIAL:
RECYCLED PLASTICS

Dwg/Stock No. **12551030** Revision **1**

THE COMPANY RETAIN THE RIGHT TO PERIODICALLY ALTER INFORMATION WITHIN THIS DRAWING SHEET AND WILL ATTEMPT TO NOTIFY ALL PARTIES CONCERNED OF ANY CHANGES AND THE INFORMATION ON THIS SHEET SHOULD NOT BE REPRODUCED WITHOUT THEIR WRITTEN CONSENT.